

## Inductive coupler IO-Link V1.1 secondary cable with female M12 M30

Port Class A

IO-Link Coupler (sec.)

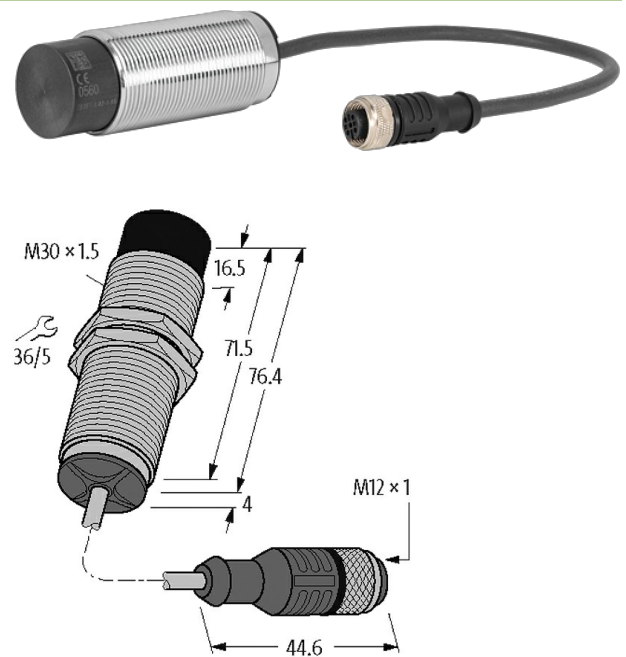
M12 (4-pole)

Connection cable 0.3 m

IO-Link V1.1

Connection cables are in the online shop under "Connection Technology".

### Illustration



Product may differ from Image

### More Info



### Connections

IO-Link M12 (female) 4-pole, A-coded

### General data

Protection	IP67/IP68
Material (housing)	Brass, chrome plated
Labeling	Laser labelled
Temperature range	-20...+55 °C
Dimensions H×W×D	30×30×76.4 mm

### Output (sec.)

Operating voltage	24 V DC ±10%
Output current	500 mA
Highest current	2.4 A (0.1 ms); 10 A (0.02 ms)

### Technical Data

Nominal distance	0...7 mm (prim./sec.)
Standby power (coupled)	4 W
Standby power (uncoupled)	1 W
Start-/coupling time	10 ms
Standby time	160 ms
Short-circuit protection	yes
Invers-polarity protection	yes
Rotation	1250 rpm

**IO-Link**

Specification	IO-Link V1.1
Operating modes	COM2 (38.4 kbit/s)
Port Class	A

**Diagnostic**

Communication status	via LED
Diagnostic via LED	yes

**Commercial data**

country of origin	CZ
customs tariff number	85389099
EAN	4048879678315
eClass	27242604
Packaging unit	1